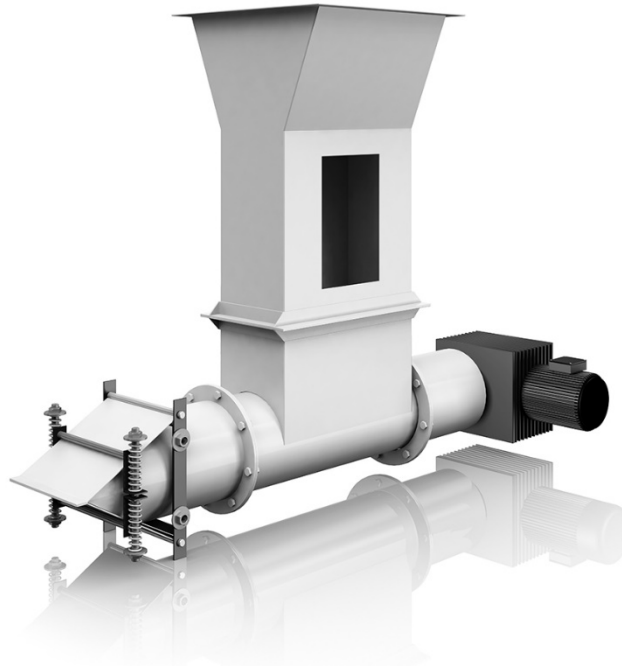


# Compacting Power Screw

For compacting and discharging  
fine dust and short fibers



## Functional Description

The separated material is captured by a horizontal screw and discharged through the outlet to the front. Optionally the supply can be supported by a agitator which prevents solid bridges. Material compaction takes place, depending on the

chosen discharge unit, by means of spring leaf or flap with spring tension. The screw is driven by a special helical gear motor. Compaction takes place through the discharge material itself.

### Compacting Power Screw

The Compacting Power Screw is used as discharge unit for dust and fibers in combination with separators such as cyclones, dust separators, jet filters, hose filter systems and fine filter systems. It permits the removal of fine dust and material with short fibers without letting those substances contaminate the surrounding area.

### Application in various industrial sectors

- Bulk goods/powder technology
- Textile industry
- Chemical industry
- Non-woven-industry
- Wood industry
- Fibrous/insulate technical industry

### Advantages

- Large material flow capacity
- Robust industrial model
- Dust-free material discharge with compaction ratio of about 5:1
- Continuous operation
- No pressure fluxion in the system
- For adhesive dust with integrated stirring unit

R&R BETH FILTRATION

P.O Box 43054 Atlanta, GA 30336 USA

Tel: +1 (251) 243-7039

Fax: +1 (251) 243-0004

e-mail: [office@rr-bethfiltration.com](mailto:office@rr-bethfiltration.com)

# Compacting Power Screw

For compacting and discharging fine dust and short fibers

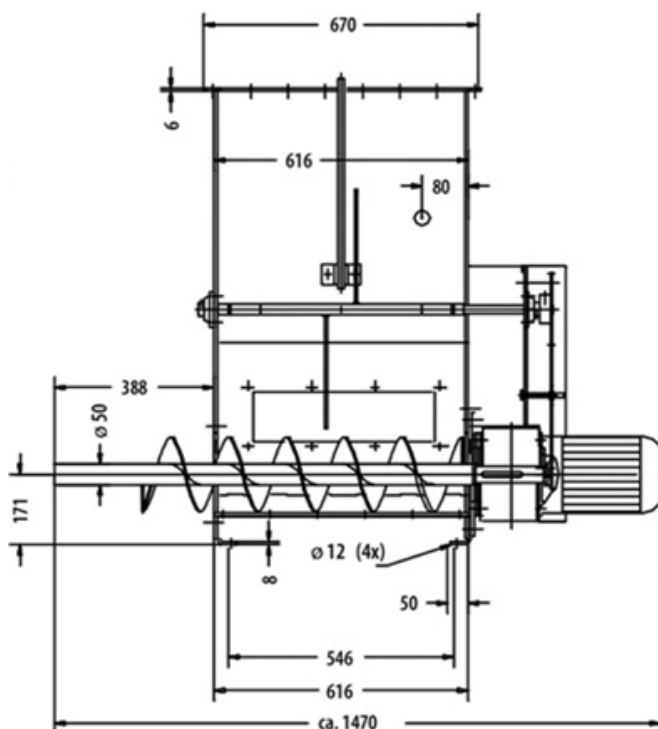
## Technical Data

	Type CPS 200	Type SKP 180
material flow capacity (depending on bulk density)	Max. 150 kg	Max. 100 kg
Power consumption	1,1 kW	0,55 kW
compacting rate	Max. 5:1	Max. 5:1
additionally agitator	Yes	No
discharge unit	Into bags Into container	Into container

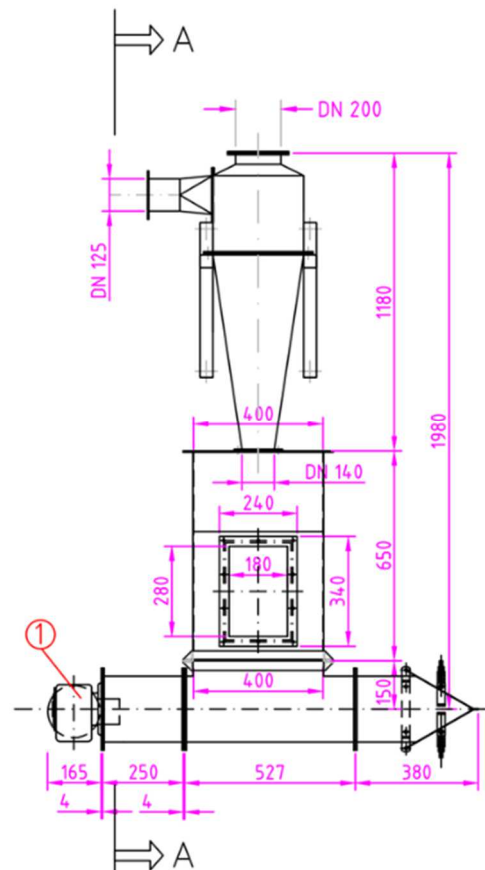
## Accessories

	Type CPS 200	Type SKP 180
Level sensor	Yes	optional
speed monitoring	optional	optional
wall mounting set	optional	optional
frame	optional	optional

## Main dimension CPS



## SKP with Cyclone



R&R BETH FILTRATION

P.O Box 43054 Atlanta, GA 30336 USA

Tel: +1 (251) 243-7039

Fax: +1 (251) 243-0004

e-mail: office@rr-bethfiltration.com